

5 pin Aviation plug SP1310/P5



Technical Specifications

General Parameters

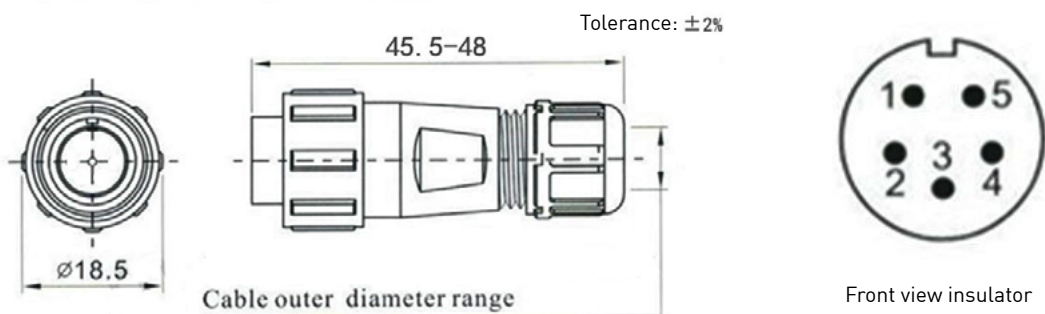
Product number	WeiPu SP1310/P5
Product name	SP13 type 5-pin straight cable plug
Material	Thermoplastic PC, PA66 Fire rating: V-0
Contact Material	Copper plated
Connection method	welding
Connecting times	500 times
Temperature range	-40 °C~ +85 °C
Current	5A
Voltage	180V (AC.V)
Diameter of contact slots/ number of poles	1mm×5
Voltage Limit	1000V (AC.V)1min
Resistance	5mΩ
Insulation resistance	2000MΩ
Wire gauge	≤0.75/18 (m m ² /AWG)

Description

This product can be used to connect electrical devices and machinery. Applications are machine tools, electromechanics, communications, instrumentation, lighting systems, vehicle-mounted equipment and cables.

The aviation plug is a straight circular electrical connector, the plug and socket are connected by screw locking, the socket is fixed by thick nut ring locking, and the wiring method is screw crimping.

Dimensions



Protection level

